

FIG-1

WDT

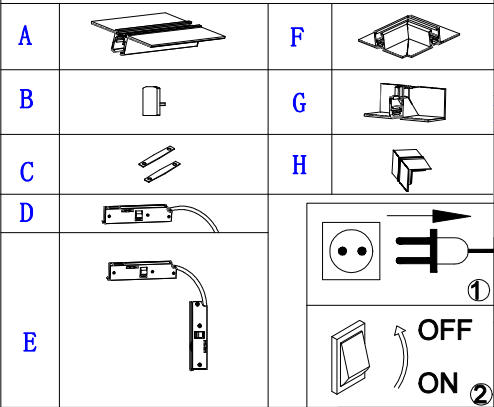


FIG-2

CUT OFF 11MM

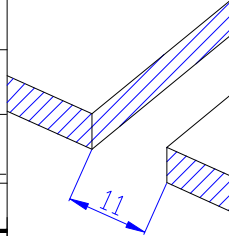


FIG-3

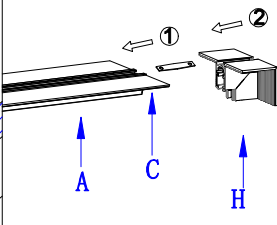


FIG-4

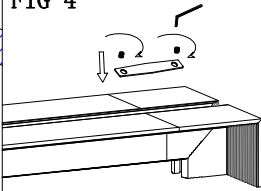


FIG-5

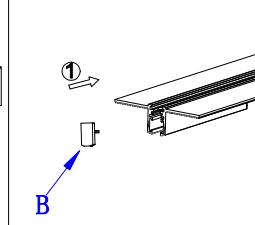


FIG-6

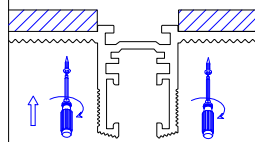


FIG-7

